

ABOUT US

LUXX Lichttechnik GmbH / LUXX Light Technology Ltd. Represents a German headquartered inter-national group with lighting competence and innovations since over 20 years.

Our core competences:

- Research & Development
- Design
- Manufacturing
- Quality Assurance
- Cost Control

LUXX is dedicated to slim and energy efficient linear lighting fixtures since 1997.
1997 — CCFL (cold cathode fluorescent lamp) slim and energy efficient linear lighting fixtures

2006 — LED ultra slim and energy efficient linear lighting fixtures

2012 — All LED Commercial Lighting fixtures and replacements

2013 — LED Industrial Lighting fixtures

Since 2014 LUXX presents the latest edition:

- LED refrigeration equipment lighting, freezers, coolers, chillers, cabinets
- LED fresh food lighting—cabinets, shelves and displays
- LED vending machine lighting
- LED shelf- and rack lighting

LUXX Light Technology (Shenzhen) Ltd.

5th Floor, Building 8, Hui Debao Industrial Park, Bai Huayuan Rd, Guang Ming District Shenzhen 518107, China

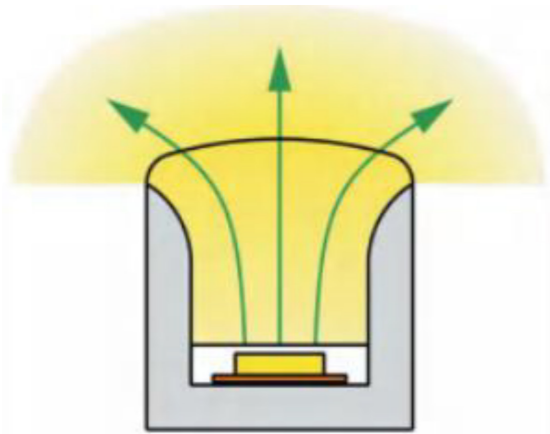
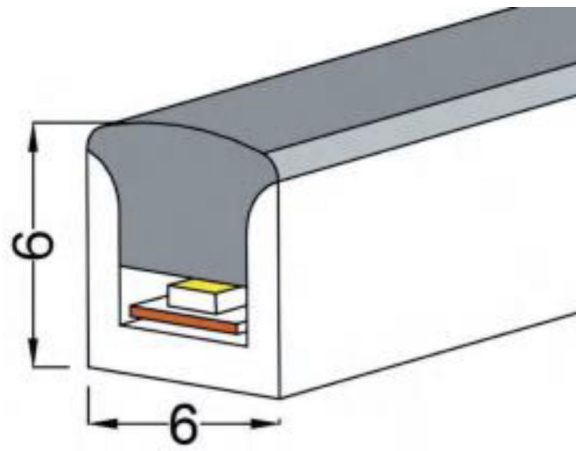
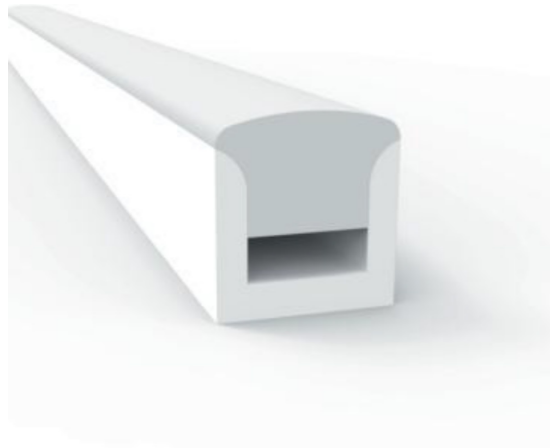
Phone: +86 755 27049942

Fax: +86 755 29677724

info@luxx.cn

www.luxx.cn

TOPneon 0606



Specifications / data per meter

Electrical

Power	9.6W
Input voltage	12V / 24V DC

LED

Type	2835
Q'ty	120
CCT	2700~6500K
CRI	>80 Ra
PCB Width	4mm

Light Output

Beam Angle	120°
Efficiency	50 Lm/W
Lumen	450 Lm

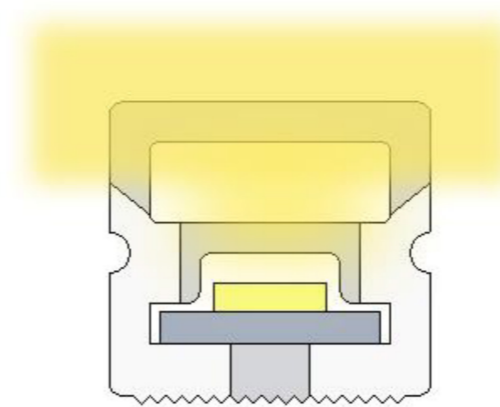
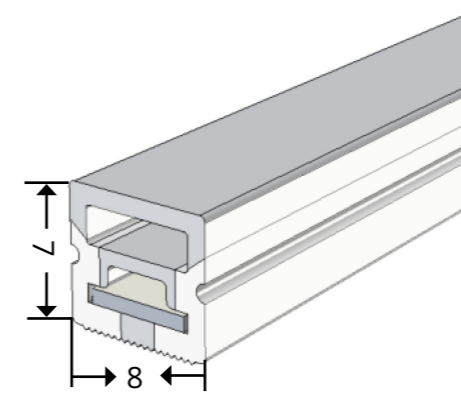
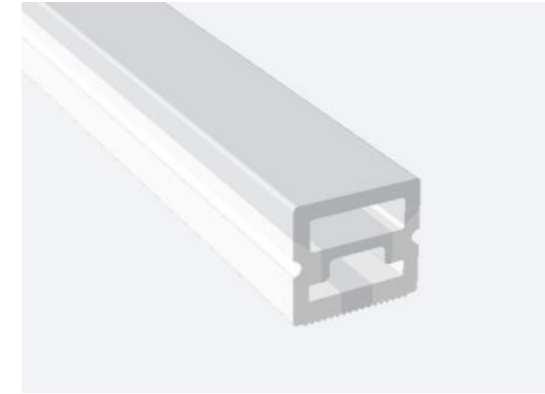
IP Rating

P67



End Caps

TOPneon 0807



Specifications / data per meter

Electrical

Power	9.6W
Input voltage	12V / 24V DC

LED

Type	2835
Q'ty	120
CCT	2700~6500K
CRI	>80 Ra
PCB Width	6mm

Light Output

Beam Angle	120°
Efficiency	50 Lm/W
Lumen	450 Lm

IP Rating

P67



End Caps



Mounting Clips



Mounting Profiles

TOPneon 1010



Specifications / data per meter

Electrical

Power	9.6W
Input voltage	12V / 24V DC

LED

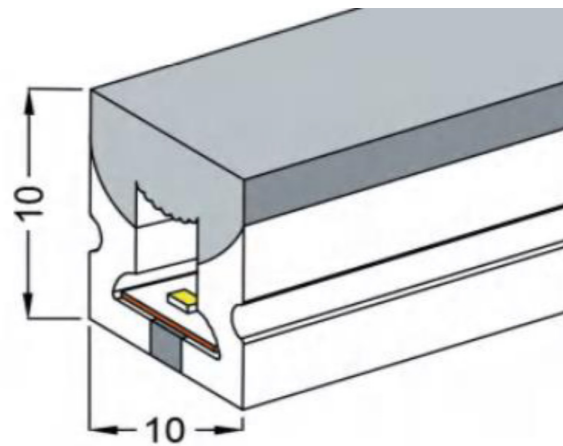
Type	2835
Q'ty	120
CCT	2700~6500K
CRI	>80 Ra
PCB Width	6mm

Light Output

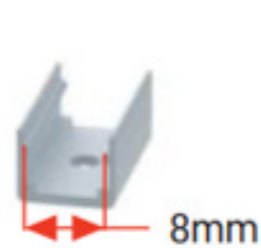
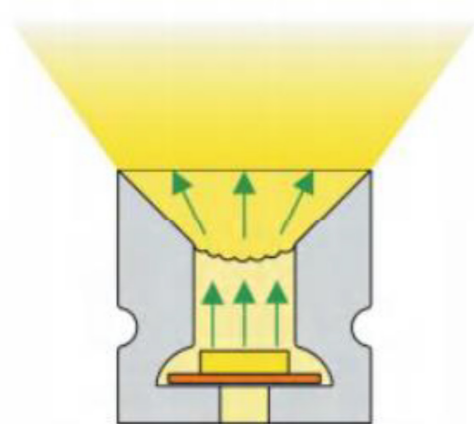
Beam Angle	120°
Efficiency	50 Lm/W
Lumen	450 Lm

IP Rating

P67



End Caps



Mounting Clips



Mounting Profiles

TOPneon 1010T



Specifications / data per meter

Electrical

Power	9.6W
Input voltage	12V / 24V DC

LED

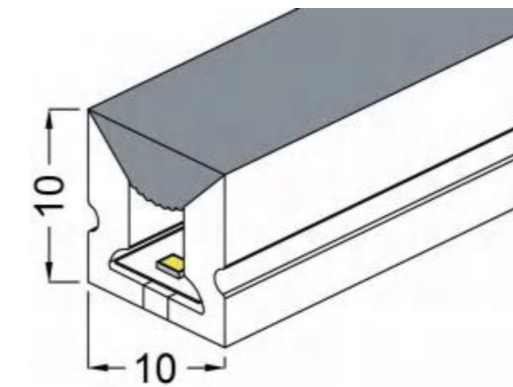
Type	2835
Q'ty	120
CCT	2700~6500K
CRI	>80 Ra
PCB Width	6mm

Light Output

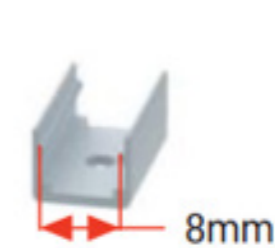
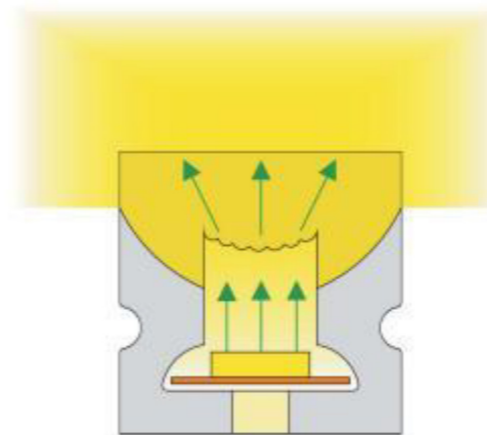
Beam Angle	180°
Efficiency	50 Lm/W
Lumen	450 Lm

IP Rating

P67



End Caps



Mounting Clips



Mounting Profiles

TOPneon 1212

TOPneon 1212T



Specifications / data per meter

Specifications / data per meter

Electrical	
Power	9.6W
Input voltage	12V / 24V DC
LED	
Type	2835
Q'ty	120
CCT	2700~6500K
CRI	>80 Ra
PCB Width	8mm

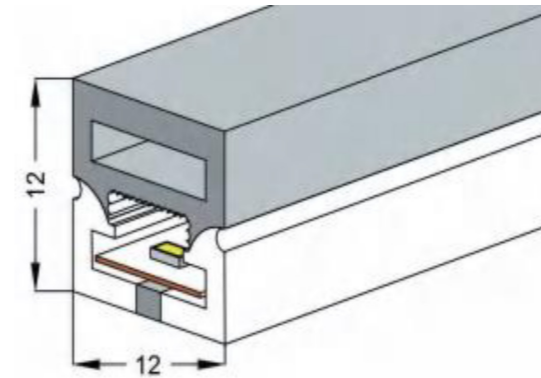
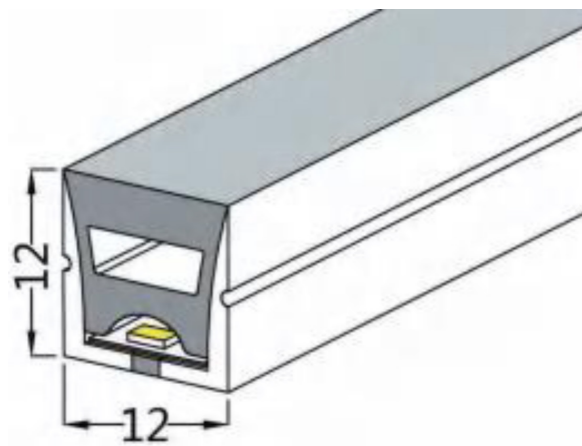
Electrical	
Power	9.6W
Input voltage	12V / 24V DC
LED	
Type	2835
Q'ty	140
CCT	2700~6500K
CRI	>80 Ra
PCB Width	8mm

Light Output	
Beam Angle	120°
Efficiency	50 Lm/W
Lumen	450 Lm

Light Output	
Beam Angle	180°
Efficiency	50 Lm/W
Lumen	450 Lm

IP Rating	P67
------------------	-----

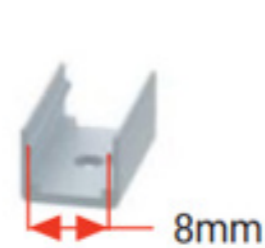
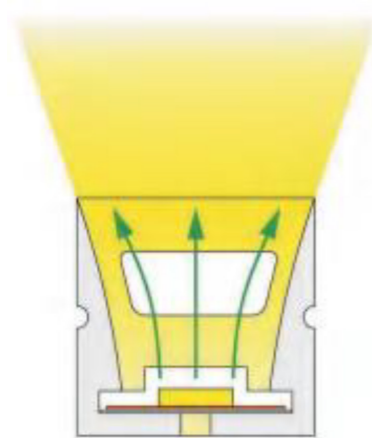
IP Rating	P67
------------------	-----



End Caps



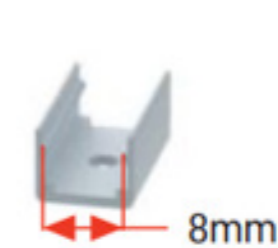
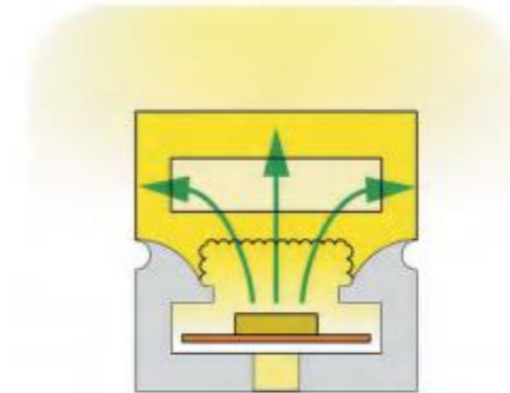
End Caps



Mounting Clips



Mounting Profiles



Mounting Clips



Mounting Profiles

TOPneon 2014

TOPneon 2014T

Specifications / data per meter

Electrical

Power 9.6W
Input voltage 12V / 24V DC

LED

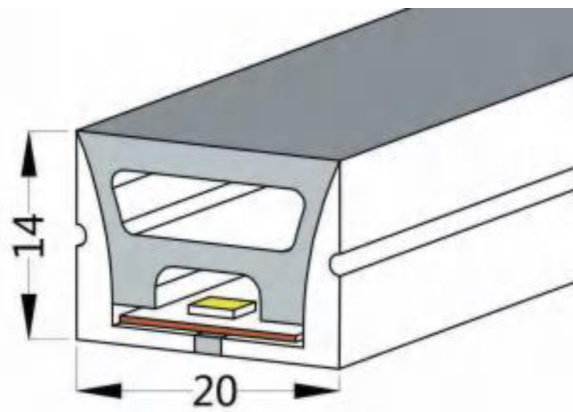
Type 2835
Q'ty 120
CCT 2700~6500K
CRI >80 Ra
PCB Width 12mm

Light Output

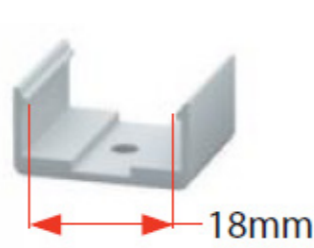
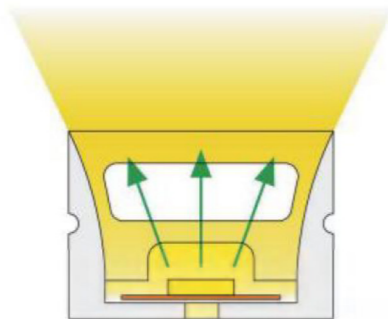
Beam Angle 120°
Efficiency 50 Lm/W
Lumen 450 Lm

IP Rating

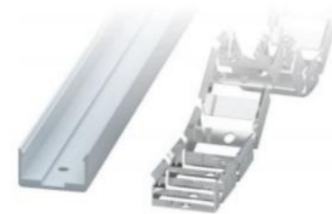
P67



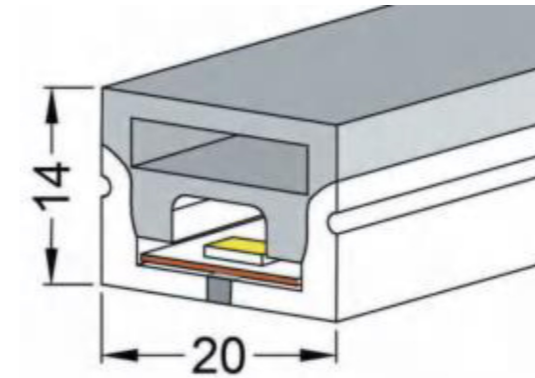
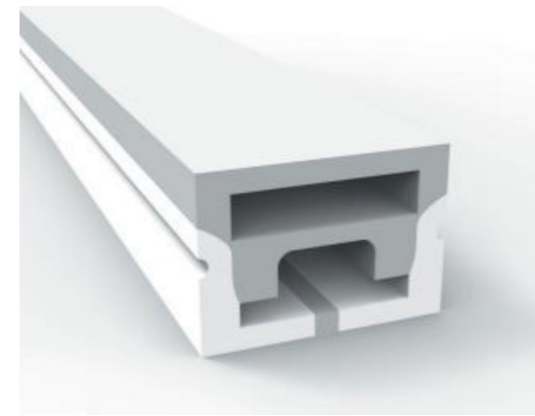
End Caps



Mounting Clips



Mounting Profiles



Specifications / data per meter

Electrical

Power 9.6W
Input voltage 12V / 24V DC

LED

Type 2835
Q'ty 120
CCT 2700~6500K
CRI >80 Ra
PCB Width 12mm

Light Output

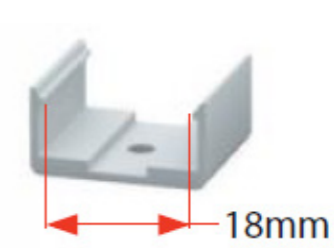
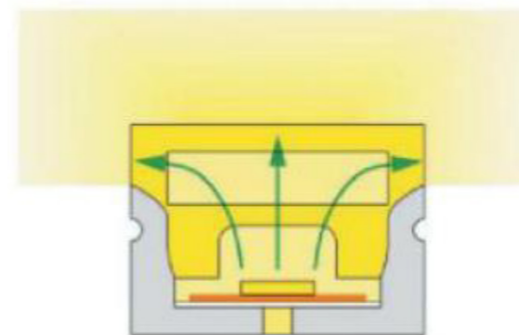
Beam Angle 180°
Efficiency 50 Lm/W
Lumen 450 Lm

IP Rating

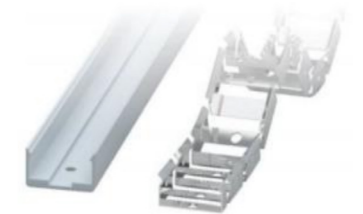
P67



End Caps



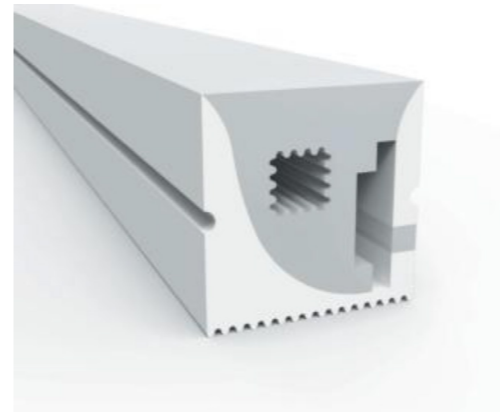
Mounting Clips



Mounting Profiles

TOPneon 1616

SIDeneon 1616



Specifications / data per meter

Specifications / data per meter

Electrical	
Power	9.6W
Input voltage	12V / 24V DC
LED	
Type	2835
Q'ty	120
CCT	2700~6500K
CRI	>80 Ra
PCB Width	10/12mm

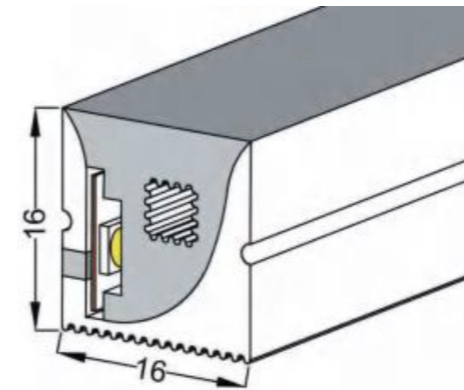
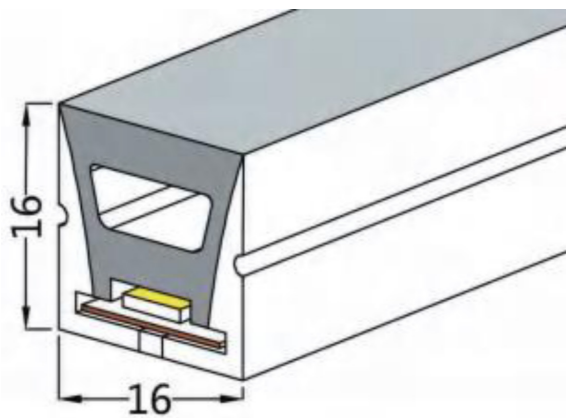
Electrical	
Power	9.6W
Input voltage	12V / 24V DC
LED	
Type	2835
Q'ty	120
CCT	2700~6500K
CRI	>80 Ra
PCB Width	12mm

Light Output	
Beam Angle	120°
Efficiency	50 Lm/W
Lumen	450 Lm

Light Output	
Beam Angle	120°
Efficiency	50 Lm/W
Lumen	450 Lm

IP Rating	P67
------------------	-----

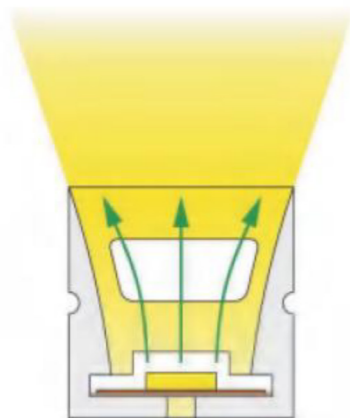
IP Rating	P67
------------------	-----



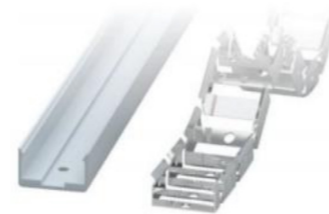
End Caps



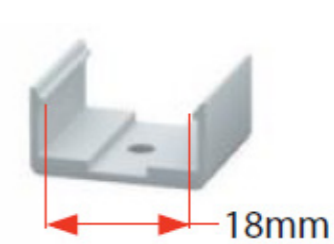
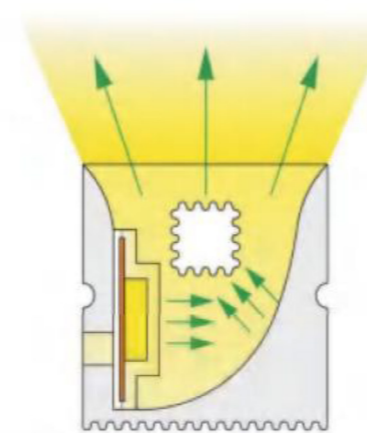
End Caps



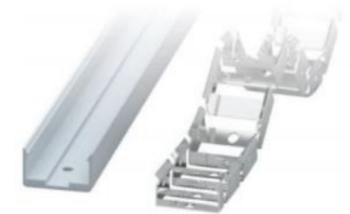
Mounting Clips



Mounting Profiles



Mounting Clips



Mounting Profiles

TOPneon 2020

SIDeoneon 2020

Specifications / data per meter

Electrical

Power	9.6W
Input voltage	12V / 24V DC

LED

Type	2835
Q'ty	120
CCT	2700~6500K
CRI	>80 Ra
PCB Width	10/12mm

Light Output

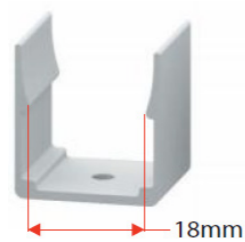
Beam Angle	120°
Efficiency	50 Lm/W
Lumen	450 Lm

IP Rating

P67



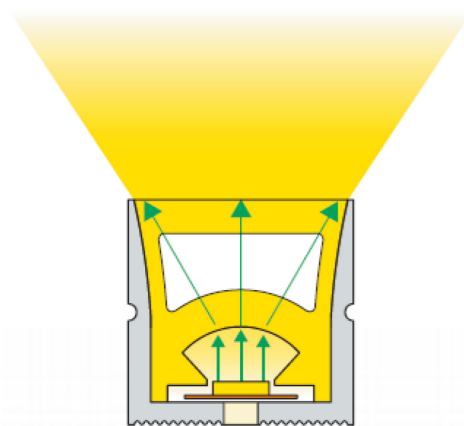
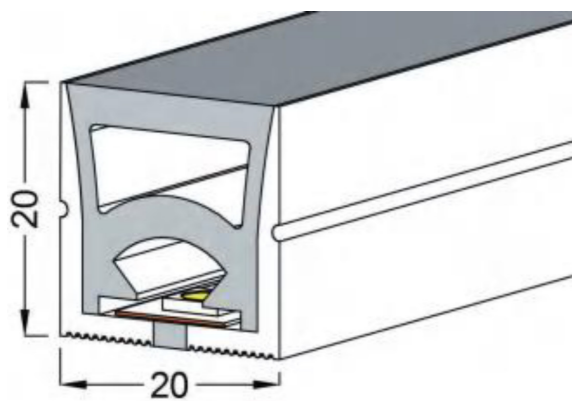
End Caps



Mounting Clips



Mounting Profiles



Specifications / data per meter

Electrical

Power	9.6W
Input voltage	12V / 24V DC

LED

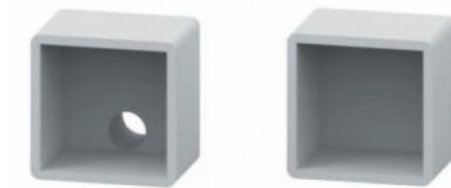
Type	2835
Q'ty	120
CCT	2700~6500K
CRI	>80 Ra
PCB Width	12mm

Light Output

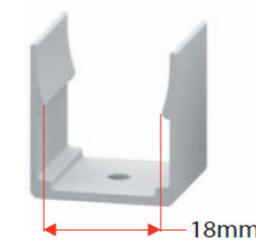
Beam Angle	120°
Efficiency	50 Lm/W
Lumen	450 Lm

IP Rating

P67



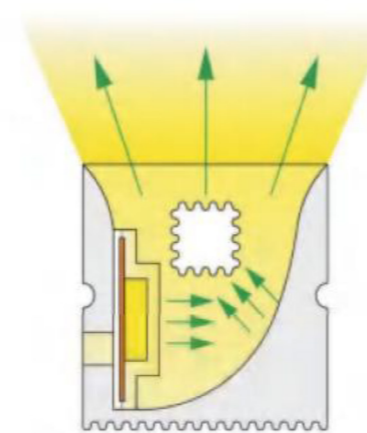
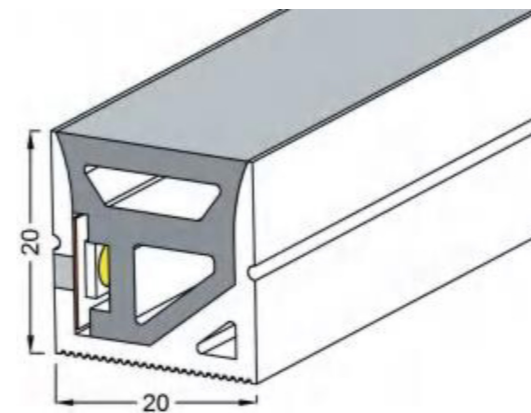
End Caps



Mounting Clips



Mounting Profiles



TOPneon 3020

TOPneon 4025

Specifications / data per meter

Specifications / data per meter



Electrical	
Power	18W
Input voltage	12V / 24V DC
LED	
Type	2835
Q'ty	240
CCT	2700~6500K
CRI	>80 Ra
PCB Width	15mm

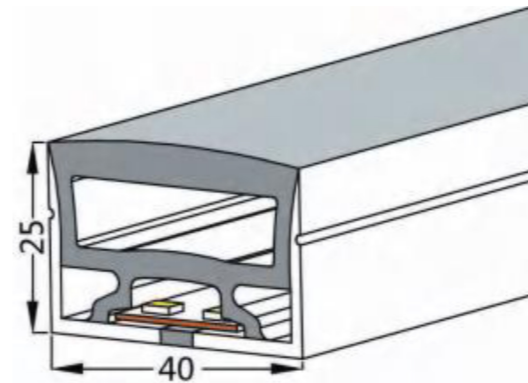
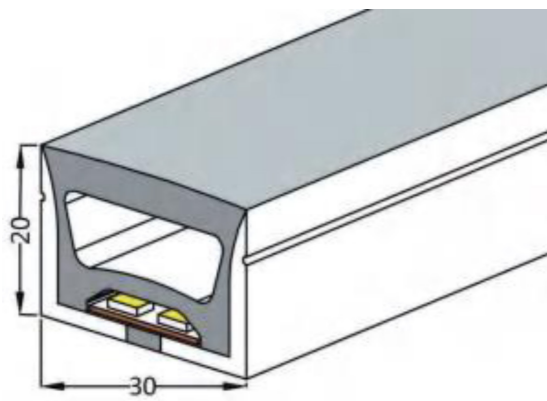
Electrical	
Power	20W
Input voltage	12V / 24V DC
LED	
Type	2835
Q'ty	280
CCT	2700~6500K
CRI	>80 Ra
PCB Width	20mm (2 rows LED)

Light Output	
Beam Angle	120°
Efficiency	50 Lm/W
Lumen	900 Lm

Light Output	
Beam Angle	120°
Efficiency	50 Lm/W
Lumen	1000 Lm

IP Rating	P67
------------------	-----

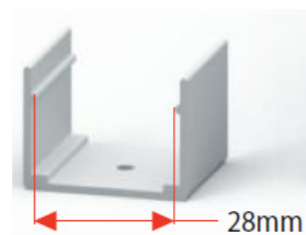
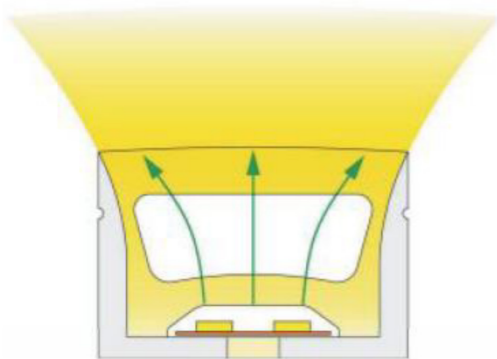
IP Rating	P67
------------------	-----



End Caps



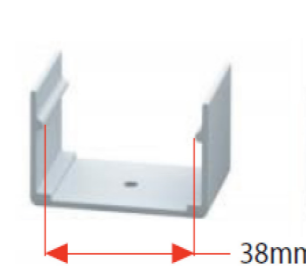
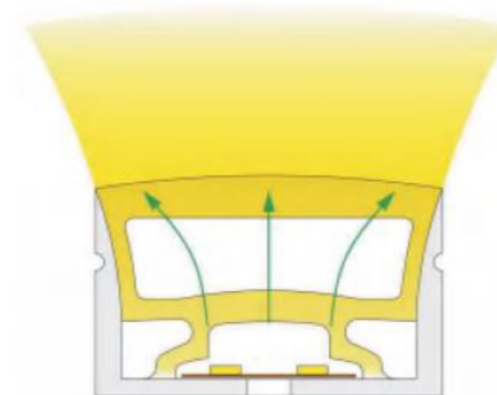
End Caps



Mounting Clips



Mounting Profiles



Mounting Clips



Mounting Profiles

SIDEneon 0408



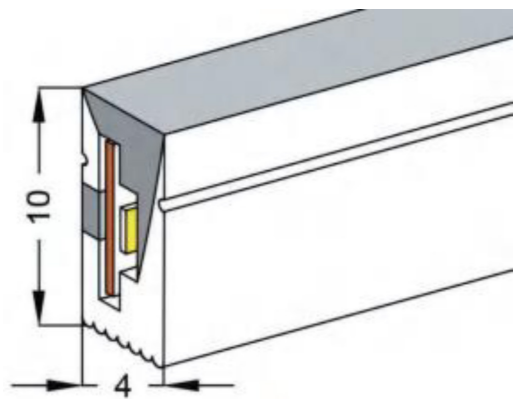
Specifications / data per meter

Electrical
 Power 8W
 Input voltage 12V / 24V DC

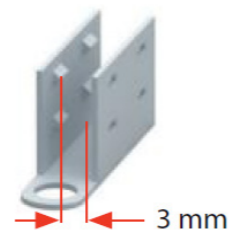
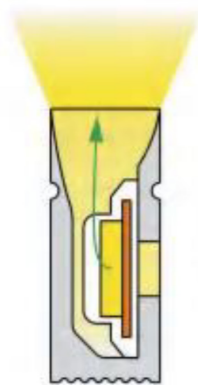
LED
 Type 2835
 Q'ty 120
 CCT 2700~6500K
 CRI >80 Ra
 PCB Width 5mm

Light Output
 Beam Angle 120°
 Efficiency 50 Lm/W
 Lumen 400 Lm

IP Rating P67



End Caps

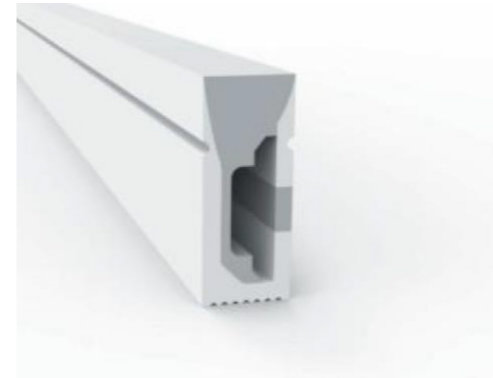


Mounting Clips



Mounting Profiles

SIDEneon 0410



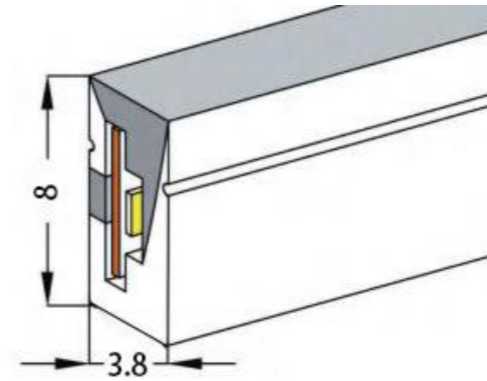
Specifications / data per meter

Electrical
 Power 8W
 Input voltage 12V / 24V DC

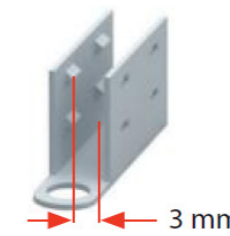
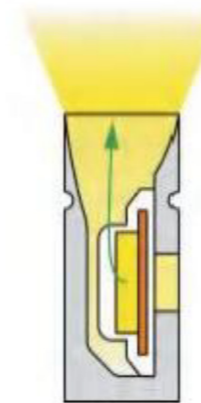
LED
 Type 2835
 Q'ty 280
 CCT 2700~6500K
 CRI >80 Ra
 PCB Width 5/6mm

Light Output
 Beam Angle 120°
 Efficiency 50 Lm/W
 Lumen 1000 Lm

IP Rating P67



End Caps

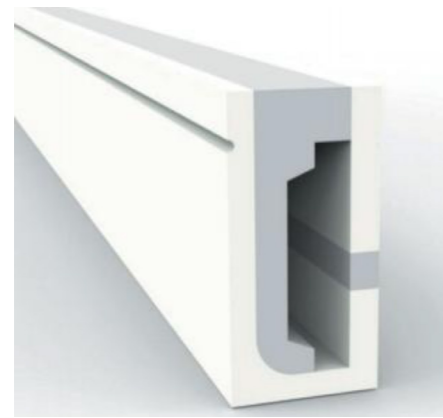


Mounting Clips



Mounting Profiles

SIDEneon 0612



Specifications / data per meter

Electrical

Power	9.6W
Input voltage	12V / 24V DC

LED

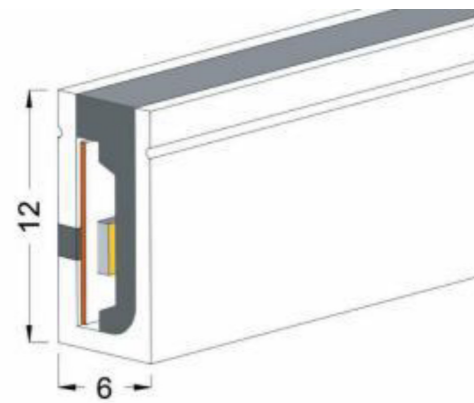
Type	2835
Q'ty	120
CCT	2700~6500K
CRI	>80 Ra
PCB Width	8mm

Light Output

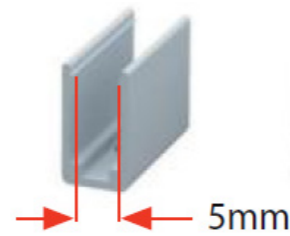
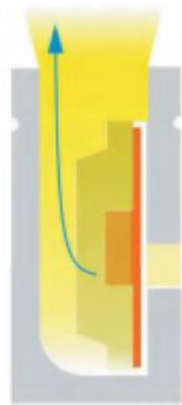
Beam Angle	120°
Efficiency	50 Lm/W
Lumen	450 Lm

IP Rating

P67



End Caps

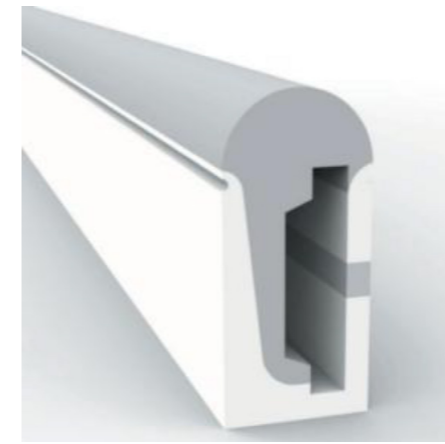


Mounting Clips



Mounting Profiles

SIDEneon 0613T



Specifications / data per meter

Electrical

Power	9.6W
Input voltage	12V / 24V DC

LED

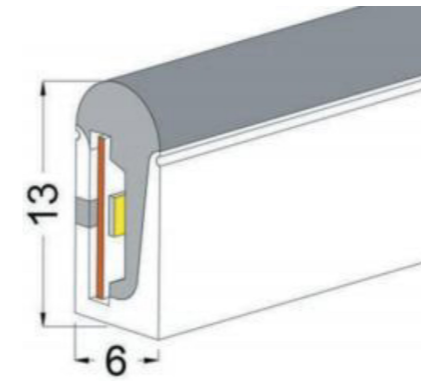
Type	2835
Q'ty	120
CCT	2700~6500K
CRI	>80 Ra
PCB Width	8mm

Light Output

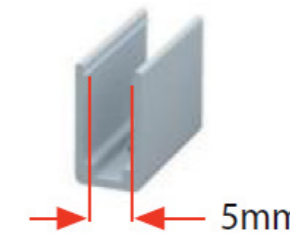
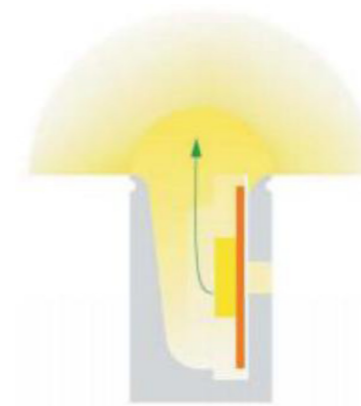
Beam Angle	180°
Efficiency	50 Lm/W
Lumen	450 Lm

IP Rating

P67



End Caps



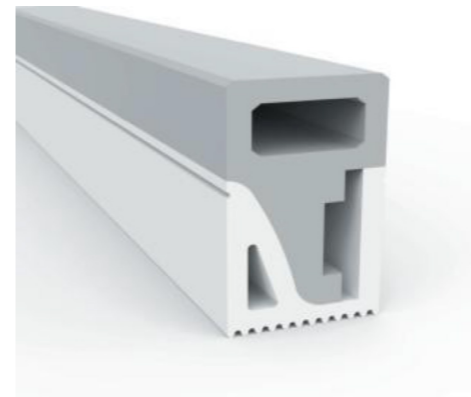
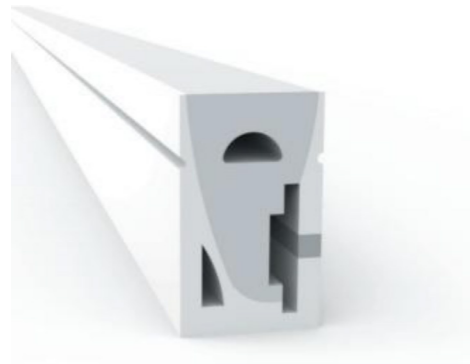
Mounting Clips



Mounting Profiles

SIDeneon 1220

SIDeneon 1220T



Specifications / data per meter

Electrical

Power	9.6W
Input voltage	12V / 24V DC

LED

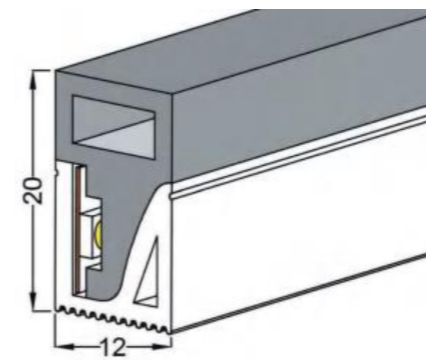
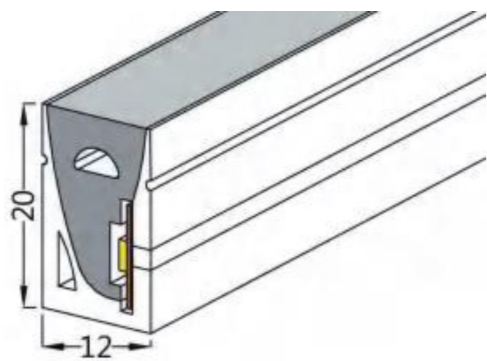
Type	2835
Q'ty	120
CCT	2700~6500K
CRI	>80 Ra
PCB Width	10mm

Light Output

Beam Angle	120°
Efficiency	50 Lm/W
Lumen	450 Lm

IP Rating

P67



End Caps

Specifications / data per meter

Electrical

Power	9.6W
Input voltage	12V / 24V DC

LED

Type	2835
Q'ty	120
CCT	2700~6500K
CRI	>80 Ra
PCB Width	10mm

Light Output

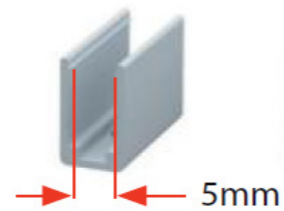
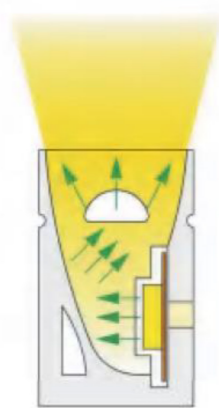
Beam Angle	180°
Efficiency	50 Lm/W
Lumen	450 Lm

IP Rating

P67



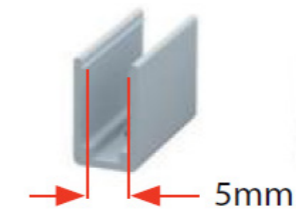
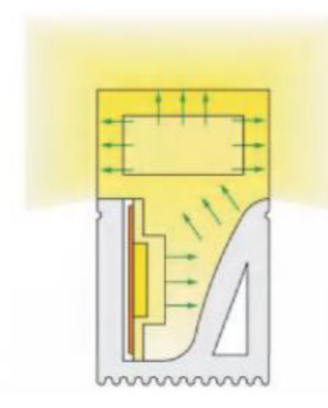
End Caps



Mounting Clips



Mounting Profiles

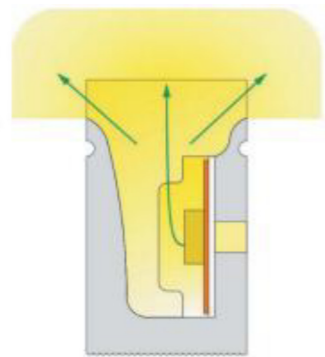
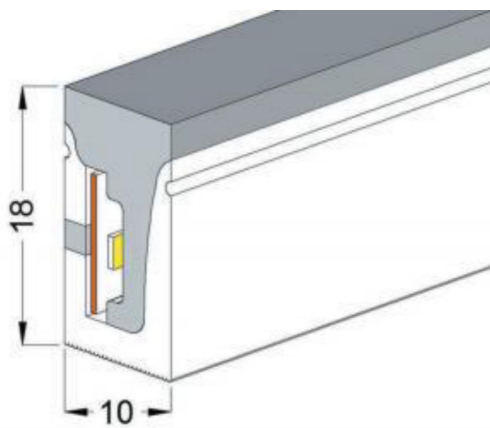
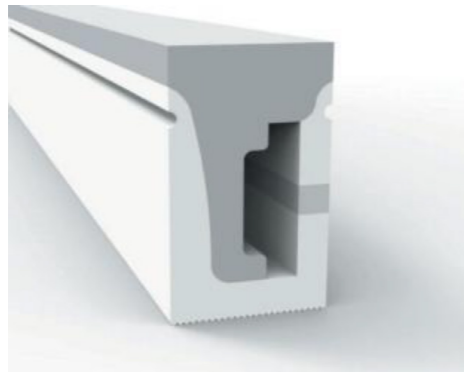


Mounting Clips



Mounting Profiles

SIDeneon 1018T



Specifications / data per meter

Electrical

Power	9.6W
Input voltage	12V / 24V DC

LED

Type	2835
Q'ty	120
CCT	2700~6500K
CRI	>80 Ra
PCB Width	10mm

Light Output

Beam Angle	180°
Efficiency	50 Lm/W
Lumen	450 Lm

IP Rating

P67



End Caps



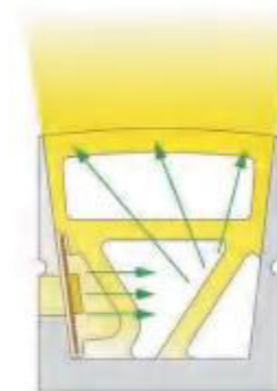
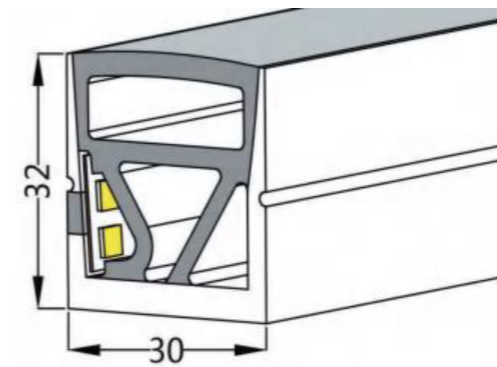
Mounting Clips



Mounting Profiles

LED Neon Tube

SIDeneon 3032



Specifications / data per meter

Electrical

Power	18W
Input voltage	12V / 24V DC

LED

Type	2835
Q'ty	240
CCT	2700~6500K
CRI	>80 Ra
PCB Width	15mm (2 rows LED)

Light Output

Beam Angle	120°
Efficiency	50 Lm/W
Lumen	900 Lm

IP Rating

P67



End Caps



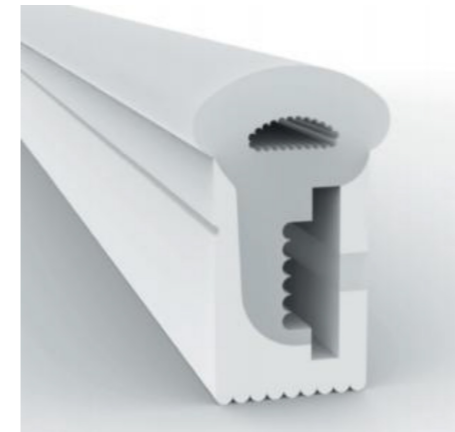
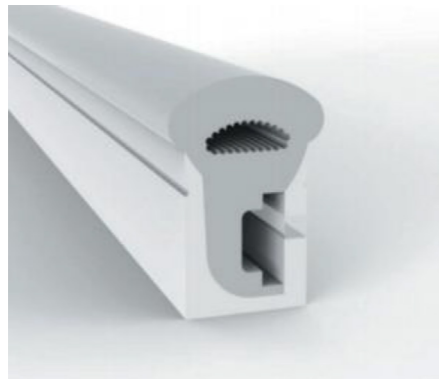
Mounting Clips



Mounting Profiles

SIDEneon 0815T

SIDEneon 0817T



Specifications / data per meter

Specifications / data per meter

Electrical

Power 9.6W
Input voltage 12V / 24V DC

Electrical

Power 9.6W
Input voltage 12V / 24V DC

LED

Type 2835
Q'ty 120
CCT 2700~6500K
CRI >80 Ra
PCB Width 5mm

LED

Type 2835
Q'ty 120
CCT 2700~6500K
CRI >80 Ra
PCB Width 8mm

Light Output

Beam Angle 270°
Efficiency 50 Lm/W
Lumen 450 Lm

Light Output

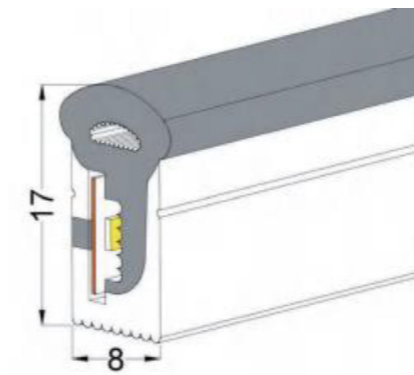
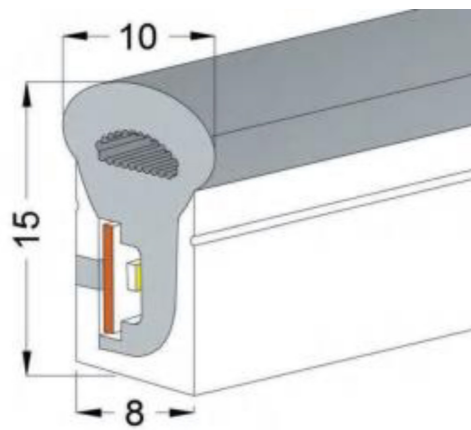
Beam Angle 270°
Efficiency 50 Lm/W
Lumen 450 Lm

IP Rating

P67

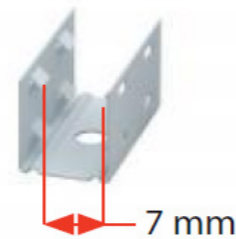
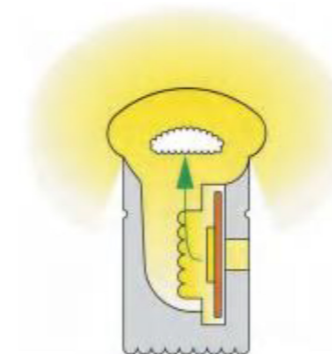
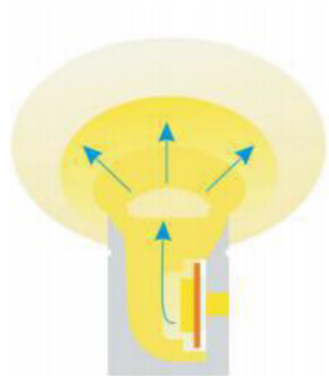
IP Rating

P67



End Caps

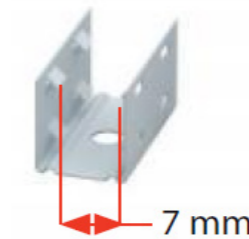
End Caps



Mounting Clips



Mounting Profiles



Mounting Clips



Mounting Profiles

SIDeoneon 1023T

SIDeoneon 1225T



Specifications / data per meter

Specifications / data per meter

Electrical	
Power	9.6W
Input voltage	12V / 24V DC
LED	
Type	2835
Q'ty	120
CCT	2700~6500K
CRI	>80 Ra
PCB Width	10mm

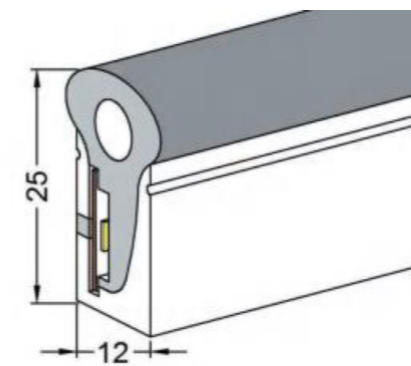
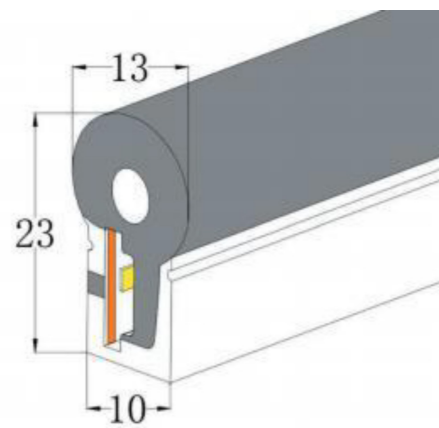
Electrical	
Power	9.6W
Input voltage	12V / 24V DC
LED	
Type	2835
Q'ty	120
CCT	2700~6500K
CRI	>80 Ra
PCB Width	12mm

Light Output	
Beam Angle	270°
Efficiency	50 Lm/W
Lumen	450 Lm

Light Output	
Beam Angle	120°
Efficiency	50 Lm/W
Lumen	450 Lm

IP Rating	P67
------------------	-----

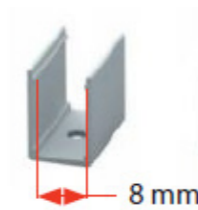
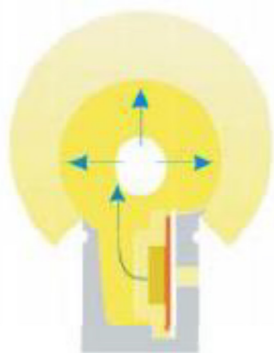
IP Rating	P67
------------------	-----



End Caps



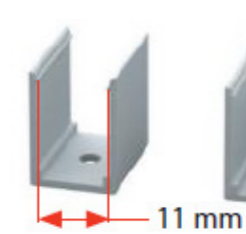
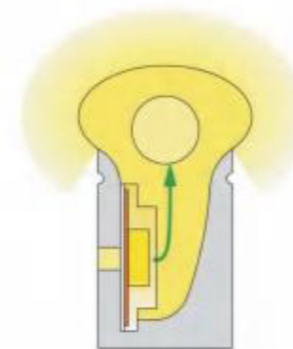
End Caps



Mounting Clips



Mounting Profiles



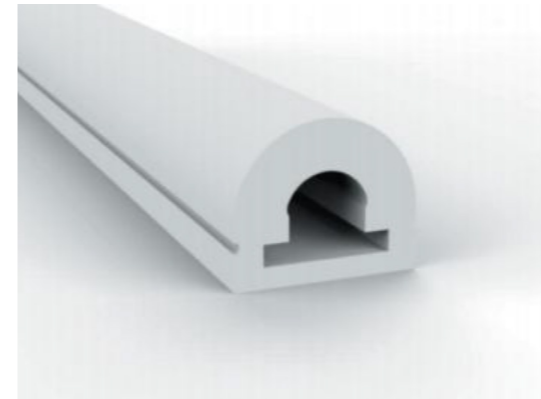
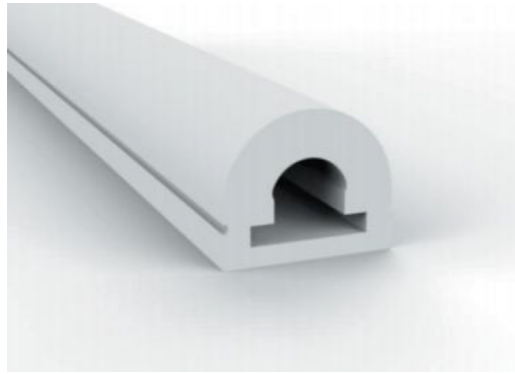
Mounting Clips



Mounting Profiles

SIDeneon 1023T

SIDeneon 1225T



Specifications / data per meter

Electrical

Power 9.6W
Input voltage 12V / 24V DC

LED

Type 2835
Q'ty 120
CCT 2700~6500K
CRI >80 Ra
PCB Width 8mm

Light Output

Beam Angle 270°
Efficiency 50 Lm/W
Lumen 450 Lm

IP Rating

P67

Specifications / data per meter

Electrical

Power 9.6W
Input voltage 12V / 24V DC

LED

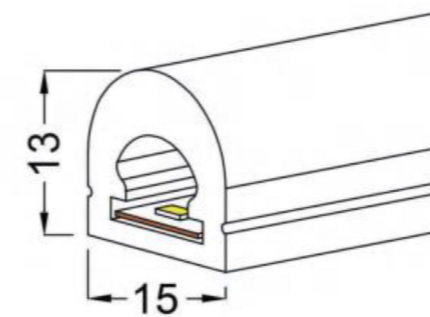
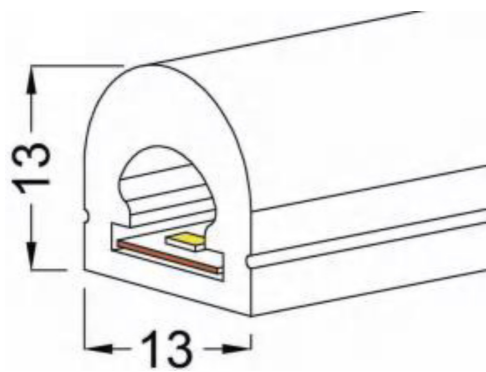
Type 2835
Q'ty 120
CCT 2700~6500K
CRI >80 Ra
PCB Width 10mm

Light Output

Beam Angle 120°
Efficiency 50 Lm/W
Lumen 450 Lm

IP Rating

P67



End Caps

Mounting Clips



End Caps

Mounting Clips

CIRCLEneon 13



Specifications / data per meter

Electrical

Power	9.6W
Input voltage	12V / 24V DC

LED

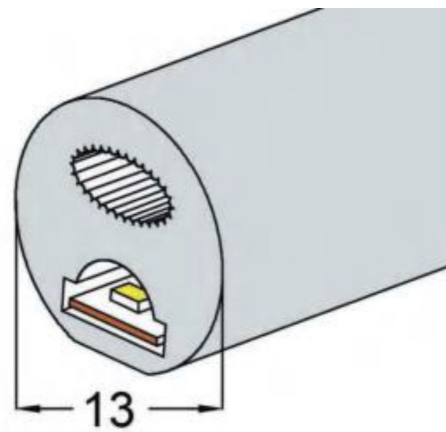
Type	2835
Q'ty	120
CCT	2700~6500K
CRI	>80 Ra
PCB Width	5mm

Light Output

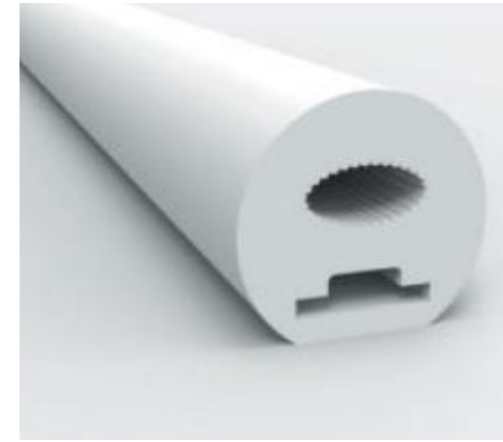
Beam Angle	270°
Efficiency	50 Lm/W
Lumen	450 Lm

IP Rating

P67



CIRCLEneon 20



Specifications / data per meter

Electrical

Power	9.6W
Input voltage	12V / 24V DC

LED

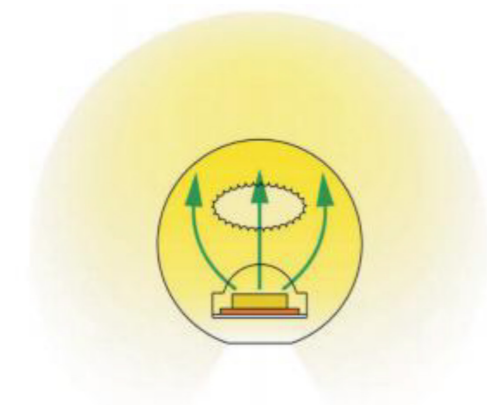
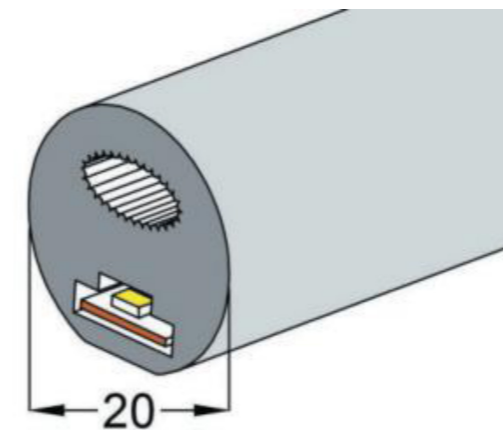
Type	2835
Q'ty	120
CCT	2700~6500K
CRI	>80 Ra
PCB Width	10mm

Light Output

Beam Angle	270°
Efficiency	50 Lm/W
Lumen	450 Lm

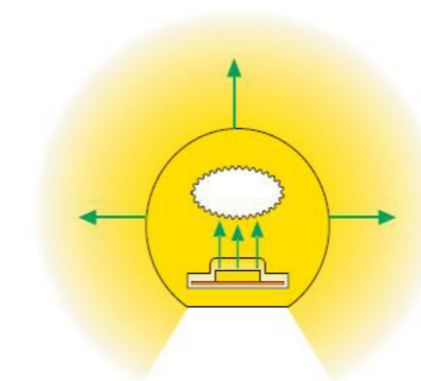
IP Rating

P67



End Caps

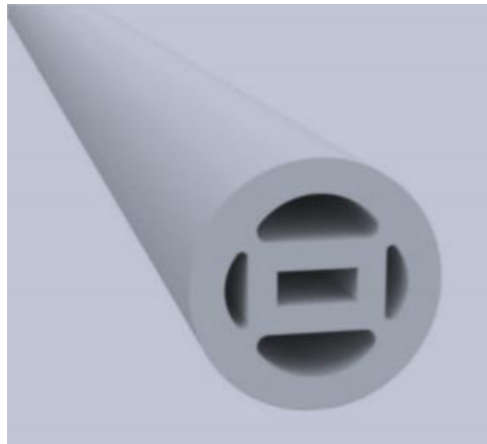
Mounting Clips



End Caps

Mounting Clips

CIRCLEneon 22



Specifications / data per meter

Electrical

Power 18W
Input voltage 12V / 24V DC

LED

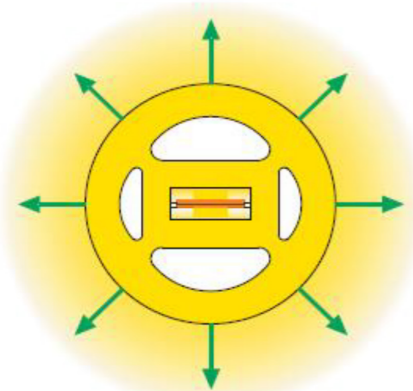
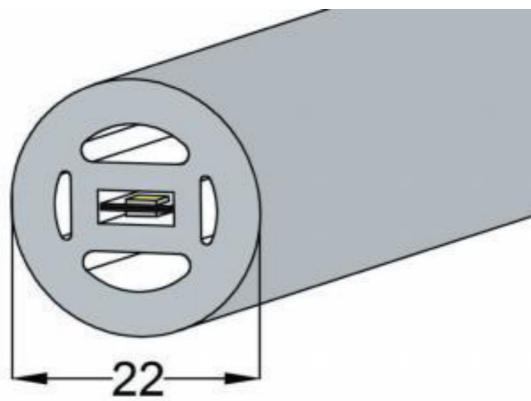
Type 2835
Q'ty 240
CCT 2700~6500K
CRI >80 Ra
PCB Width 6mm (double sides)

Light Output

Beam Angle 360°
Efficiency 50 Lm/W
Lumen 900 Lm

IP Rating

P67

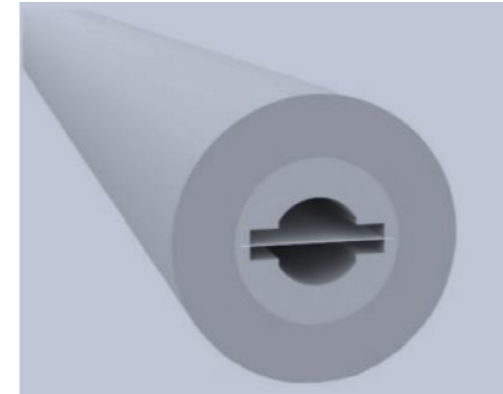


End Caps



Mounting Clips

CIRCLEneon 22S



Specifications / data per meter

Electrical

Power 9.6W
Input voltage 12V / 24V DC

LED

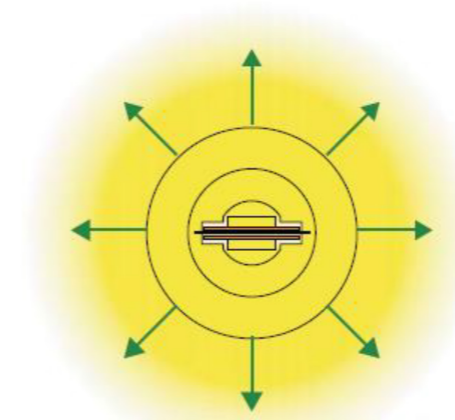
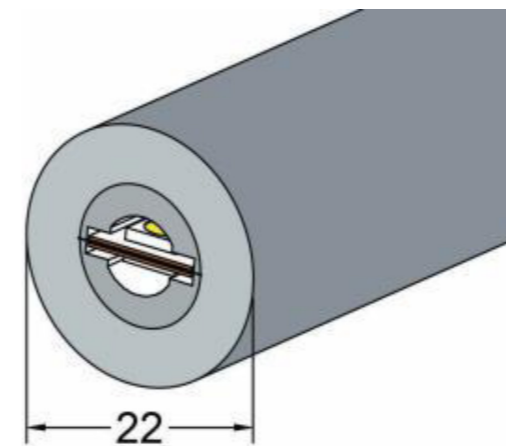
Type 2835
Q'ty 240
CCT 2700~6500K
CRI >80 Ra
PCB Width 8mm (double sides)

Light Output

Beam Angle 360°
Efficiency 50 Lm/W
Lumen 900 Lm

IP Rating

P67



End Caps



Mounting Clips